

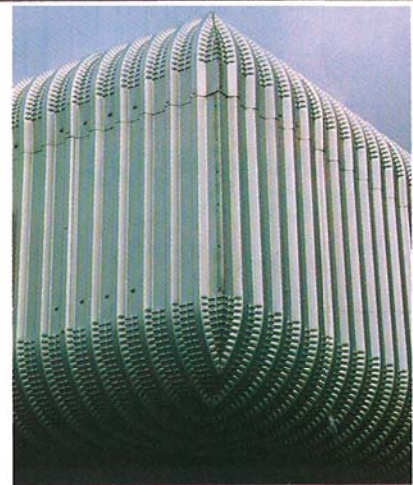
Curve Clad

Now!
**Add beautiful
new design
features into
your cladding
projects**

Roll Form Group is producing Curve Clad on computer assisted manufacturing equipment: Sections of steel cladding profiles, rounded to any radius. This technological advancement now allows you to design dramatic eye-appeal into cladding installations. you can soften corners, or round the eaves, ridges and soffits. You'll find new creative freedom to include styling features using graceful sweeps and curves. Curve Clad also adds new beauty in interior settings.

Curve Clad is easy to install. In fact, it means fewer gutters, flashings and closures to contend with.

Your enquires are invited. We can show you photos of very imaginative applications. Please contact our sales team.

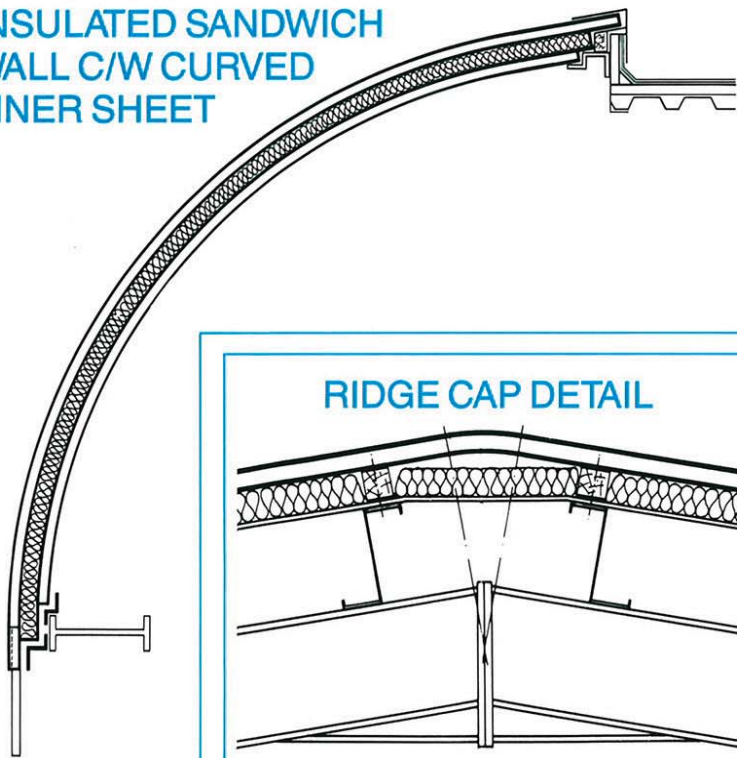


SUITE 100 - 6701 FINANCIAL DRIVE, MISSISSAUGA, ON L5N 7J7
PHONE: (905)270-5300
TOLL FREE: 1-800-233-6228
FAX: (905) 593-3489

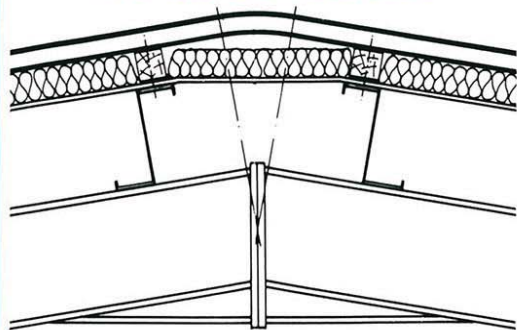
1709 - 8 STREET, NISKU, AL CANADA T9E 7S8
PHONE: (780)955-3317
TOLL FREE: 1-877-955-6340
FAX: (780)955-3318

TYPICAL DETAILS

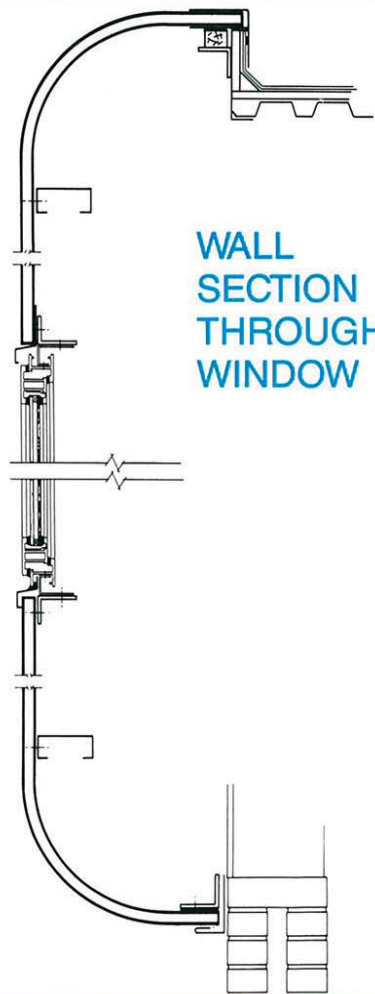
INSULATED SANDWICH WALL C/W CURVED LINER SHEET



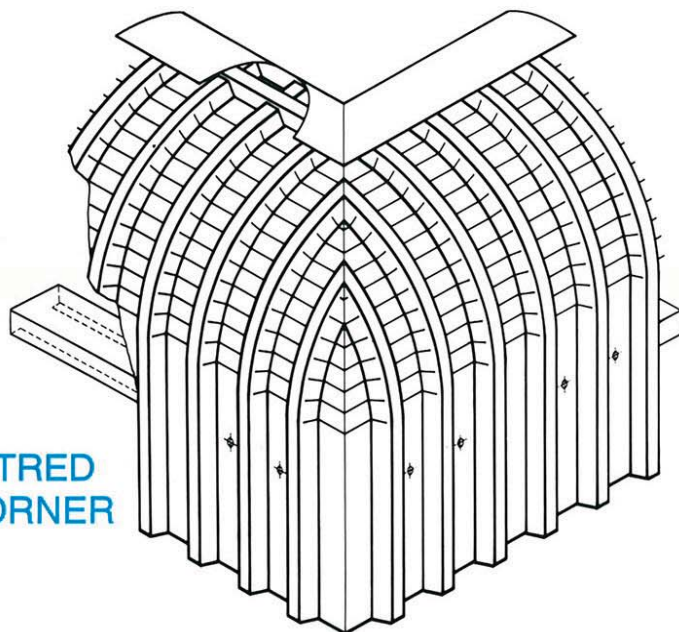
RIDGE CAP DETAIL



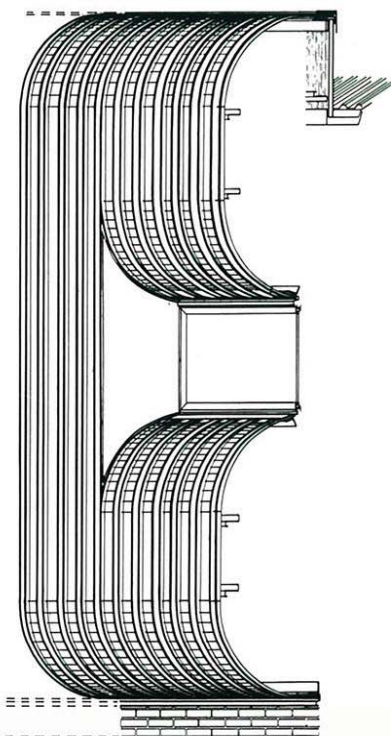
WALL SECTION THROUGH WINDOW



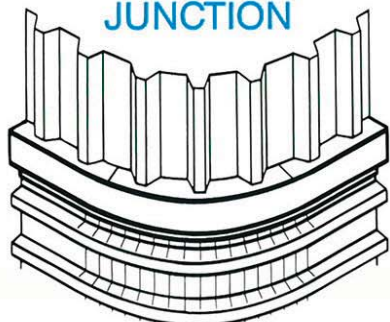
MITRED CORNER



RECESSED WINDOW



HORIZONTAL/VERTICAL JUNCTION



CORNER FLASHING



Note: Transportation and manufacturing considerations may limit length, radius and shape. Consult Roll Form Group.