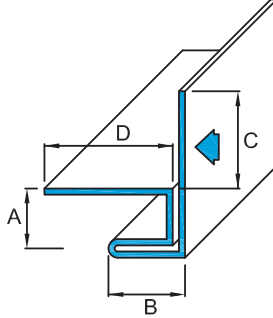


ISO 9001-2000 REGISTERED

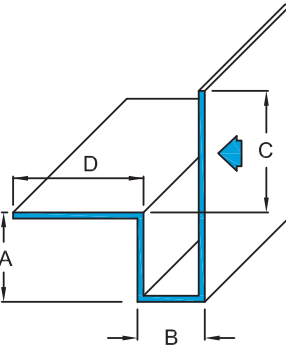
JAMB-J1



QTY	DIMENSION			
	A	B	C	D

NOTE: DIMENSION A MUST BE GREATER THAN B

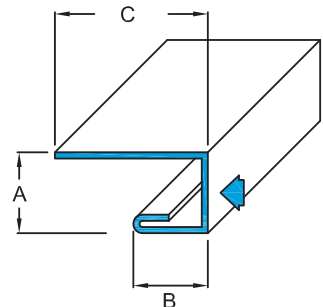
JAMB-J4



QTY	DIMENSION			
	A	B	C	D

NOTE: DIMENSION B MUST BE GREATER THAN A

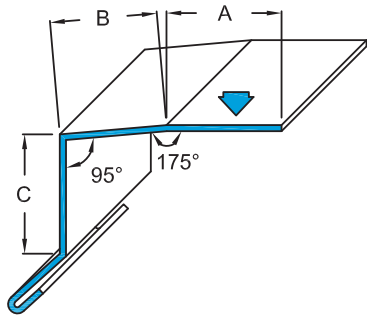
JAMB-J2



QTY	DIMENSION		
	A	B	C

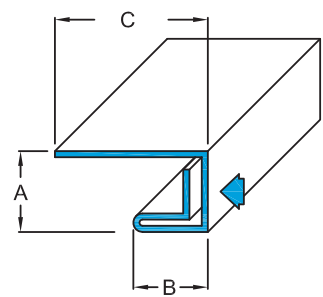
NOTE: DIMENSION A MUST BE GREATER THAN B

SILL-S1



QTY	DIMENSION		
	A	B	C

JAMB-J3



QTY	DIMENSION		
	A	B	C

NOTE: DIMENSION A MUST BE GREATER THAN B

CUSTOM FORMED

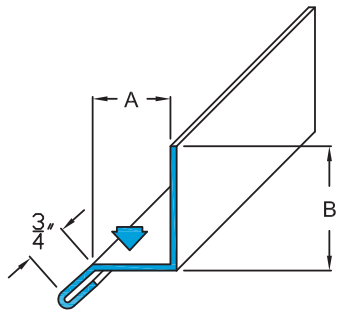
QTY	DIMENSION		
	A	B	C

NOTES:  - SHOWS PAINTED SIDE
 ALL FLASHINGS/TRIMS SUPPLIED IN 10'-0" LENGTHS.
 FLASHINGS AND TRIM SHALL BE PRODUCED FROM THE SAME MATERIAL AND FINISH AS THE METAL SIDING.

FLASHINGS AND TRIMS

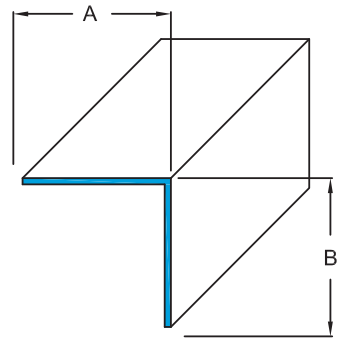
ISO 9001-2000 REGISTERED

DRIP - D1



QTY	DIMENSION		
	A	B	C

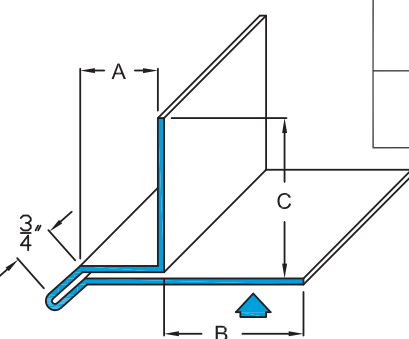
ANGLE - A1



QTY	DIMENSION		
	A	B	C

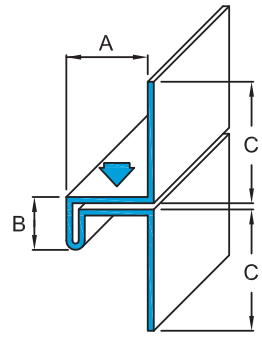
▶ SHOW PAINTED SIDE

DRIP - D2



QTY	DIMENSION		
	A	B	C

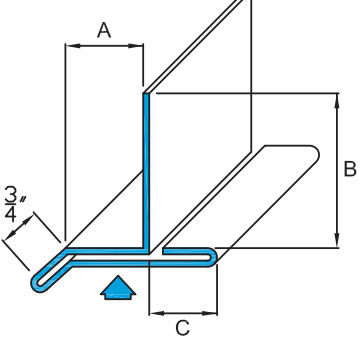
CONVERSION - C2



QTY	DIMENSION		
	A	B	C

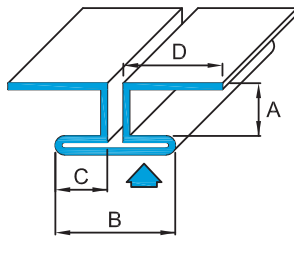
NOTE: DIMENSION A MUST BE GREATER THAN B

DRIP - D3



QTY	DIMENSION		
	A	B	C

BUTT JOINT - B1



QTY	DIMENSION			
	A	B	C	D

NOTE: DIMENSION A MUST BE GREATER THAN C

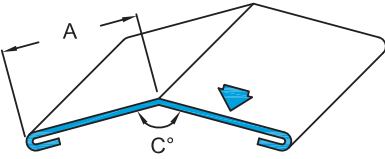
NOTES: ▶ - SHOWS PAINTED SIDE
ALL FLASHINGS/TRIMS SUPPLIED IN 10'-0" LENGTHS.
FLASHINGS AND TRIM SHALL BE PRODUCED FROM THE SAME MATERIAL AND FINISH AS THE METAL SIDING.

FLASHINGS AND TRIMS

ISO 9001-2000 REGISTERED

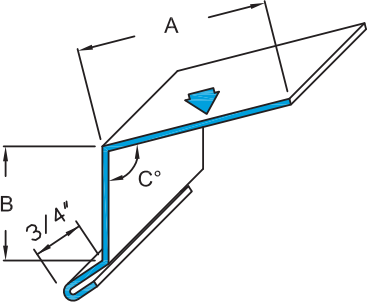
RIDGE - R1

QTY	DIMENSION		
	A	B	C°



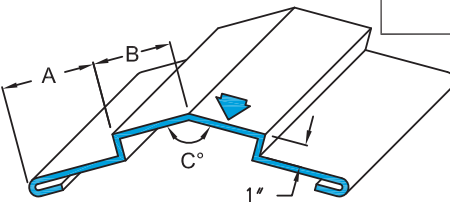
EAVE - E1

QTY	DIMENSION		
	A	B	C°



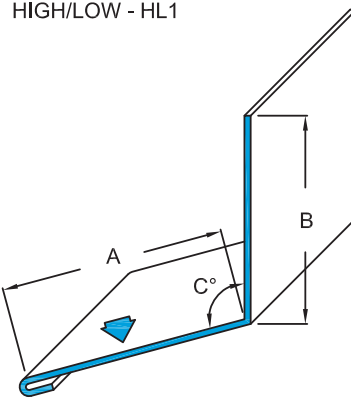
RIDGE - R2

QTY	DIMENSION		
	A	B	C°



HIGH/LOW - HL1

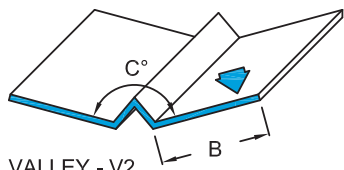
QTY	DIMENSION		
	A	B	C°



VALLEY - V1

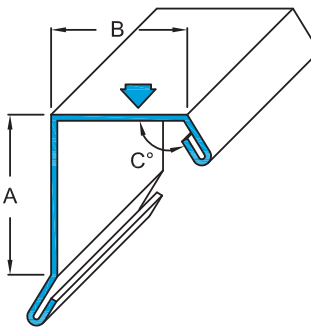
QTY	DIMENSION		
	A	B	C°

VALLEY - V2



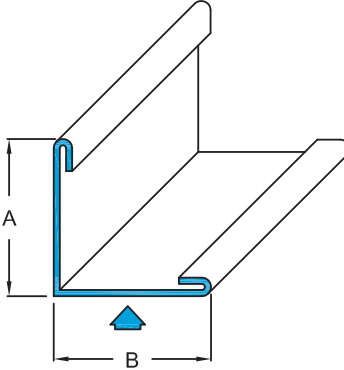
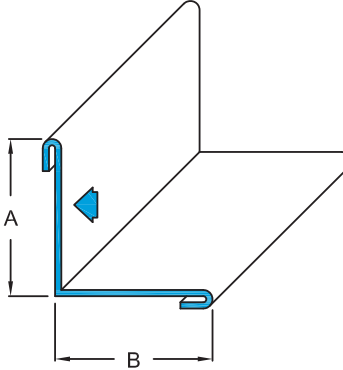
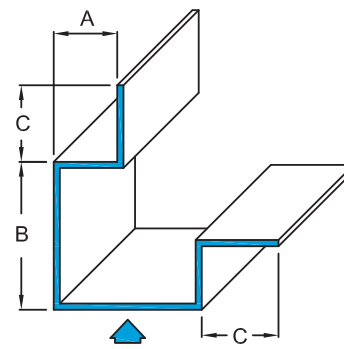
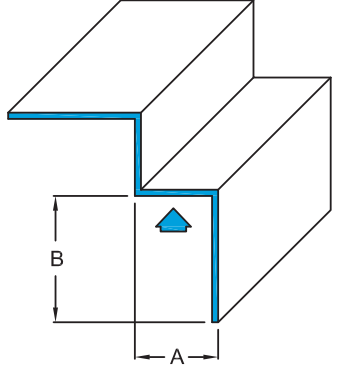
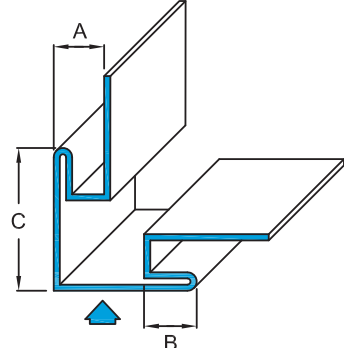
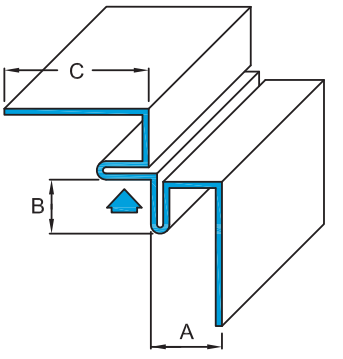
GABLE - G1

QTY	DIMENSION		
	A	B	C°



NOTES: ▲ - SHOWS PAINTED SIDE
 ALL FLASHINGS/TRIMS SUPPLIED IN 10'-0" LENGTHS.
 FLASHINGS AND TRIM SHALL BE PRODUCED FROM THE SAME MATERIAL AND FINISH AS THE METAL SIDING.

ISO 9001-2000 REGISTERED

<p>OUTSIDE CORNER - OS1</p> 	<table border="1"> <thead> <tr> <th rowspan="2">QTY</th> <th colspan="3">DIMENSION</th> </tr> <tr> <th>A</th> <th>B</th> <th>C</th> </tr> </thead> <tbody> <tr> <td> </td> <td> </td> <td> </td> <td> </td> </tr> <tr> <td> </td> <td> </td> <td> </td> <td> </td> </tr> </tbody> </table>	QTY	DIMENSION			A	B	C									<p>INSIDE CORNER - IS1</p> 	<table border="1"> <thead> <tr> <th rowspan="2">QTY</th> <th colspan="3">DIMENSION</th> </tr> <tr> <th>A</th> <th>B</th> <th>C</th> </tr> </thead> <tbody> <tr> <td> </td> <td> </td> <td> </td> <td> </td> </tr> <tr> <td> </td> <td> </td> <td> </td> <td> </td> </tr> </tbody> </table>	QTY	DIMENSION			A	B	C								
QTY	DIMENSION																																
	A	B	C																														
QTY	DIMENSION																																
	A	B	C																														
<p>OUTSIDE CORNER - OS2</p> 	<table border="1"> <thead> <tr> <th rowspan="2">QTY</th> <th colspan="3">DIMENSION</th> </tr> <tr> <th>A</th> <th>B</th> <th>C</th> </tr> </thead> <tbody> <tr> <td> </td> <td> </td> <td> </td> <td> </td> </tr> <tr> <td> </td> <td> </td> <td> </td> <td> </td> </tr> </tbody> </table>	QTY	DIMENSION			A	B	C									<p>INSIDE CORNER - IS2</p> 	<table border="1"> <thead> <tr> <th rowspan="2">QTY</th> <th colspan="3">DIMENSION</th> </tr> <tr> <th>A</th> <th>B</th> <th>C</th> </tr> </thead> <tbody> <tr> <td> </td> <td> </td> <td> </td> <td> </td> </tr> <tr> <td> </td> <td> </td> <td> </td> <td> </td> </tr> </tbody> </table>	QTY	DIMENSION			A	B	C								
QTY	DIMENSION																																
	A	B	C																														
QTY	DIMENSION																																
	A	B	C																														
<p>OUTSIDE CORNER - OS3</p> 	<table border="1"> <thead> <tr> <th rowspan="2">QTY</th> <th colspan="3">DIMENSION</th> </tr> <tr> <th>A</th> <th>B</th> <th>C</th> </tr> </thead> <tbody> <tr> <td> </td> <td> </td> <td> </td> <td> </td> </tr> <tr> <td> </td> <td> </td> <td> </td> <td> </td> </tr> </tbody> </table>	QTY	DIMENSION			A	B	C									<p>INSIDE CORNER - IS3</p> 	<table border="1"> <thead> <tr> <th rowspan="2">QTY</th> <th colspan="3">DIMENSION</th> </tr> <tr> <th>A</th> <th>B</th> <th>C</th> </tr> </thead> <tbody> <tr> <td> </td> <td> </td> <td> </td> <td> </td> </tr> <tr> <td> </td> <td> </td> <td> </td> <td> </td> </tr> </tbody> </table>	QTY	DIMENSION			A	B	C								
QTY	DIMENSION																																
	A	B	C																														
QTY	DIMENSION																																
	A	B	C																														

NOTES: ▲ - SHOWS PAINTED SIDE
 ALL FLASHINGS/TRIMS SUPPLIED IN 10'-0" LENGTHS.
 FLASHINGS AND TRIM SHALL BE PRODUCED FROM THE SAME MATERIAL AND FINISH AS THE METAL SIDING.